

SUN2000-36KTL Smart String Inverter



Smart

8 strings intelligent monitoring



Efficient

Max. efficiency 98.6%



Safe

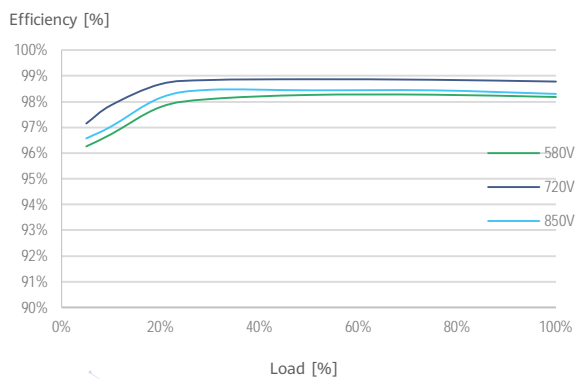
Fuse free design



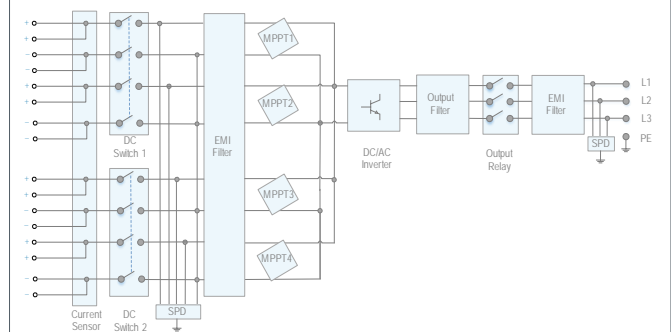
Reliable

Type II surge arresters for DC & AC

Efficiency Curve



Circuit Diagram



SUN2000-36KTL

SUN2000-36KTL
Technical Specification

| | |
|-------------------------|---------------|
| Technical Specification | SUN2000-36KTL |
|-------------------------|---------------|

| Efficiency | |
|---------------------|------------------------------------|
| Max. Efficiency | 98.8% @480 V; 98.6% @380 V / 400 V |
| European Efficiency | 98.6% @480 V; 98.4% @380 V / 400 V |

| Input | |
|-------------------------------------|--|
| Max. Input Voltage | 1,100 V |
| Max. Current per MPPT | 22 A |
| Max. Short Circuit Current per MPPT | 30 A |
| Start Voltage | 250 V |
| MPPT Operating Voltage Range | 200 V ~ 1,000 V |
| Rated Input Voltage | 620 V @380 Vac / 400 Vac; 720 V @480 Vac |
| Number of Inputs | 8 |
| Number of MPP Trackers | 4 |

| Output | |
|--------------------------------|---|
| Rated AC Active Power | 36,000 W |
| Max. AC Apparent Power | 40,000 VA |
| Max. AC Active Power (cosφ=1) | Default 40,000 W; 36,000 W optional in settings |
| Rated Output Voltage | 220 V / 380 V, 230 V / 400 V, default 3W + N + PE; 3W + PE optional in settings 277 V / 480 V, 3W + PE |
| Rated AC Grid Frequency | 50 Hz / 60 Hz |
| Rated Output Current | 54.6 A @380 V, 52.2 A @400 V, 43.4 A @480 V |
| Max. Output Current | 60.8 A @380 V, 57.8 A @400 V, 48.2 A @480 V |
| Adjustable Power Factor Range | 0.8 leading... 0.8 lagging |
| Max. Total Harmonic Distortion | < 3% |

| Protection | |
|------------------------------------|---------|
| Input-side Disconnection Device | Yes |
| Anti-islanding Protection | Yes |
| AC Overcurrent Protection | Yes |
| DC Reverse-polarity Protection | Yes |
| PV-array String Fault Monitoring | Yes |
| DC Surge Arrester | Type II |
| AC Surge Arrester | Type II |
| DC Insulation Resistance Detection | Yes |
| Residual Current Monitoring Unit | Yes |

| Communication | |
|-----------------------|---------------------------------|
| Display | LED Indicators, Bluetooth + APP |
| RS485 | Yes |
| USB | Yes |
| Monitoring BUS (MBUS) | Yes |

| General Data | |
|------------------------------|--|
| Dimensions (W x H x D) | 930 x 550 x 283 mm (36.6 x 21.7 x 11.1 inch) |
| Weight (with mounting plate) | 62 kg (136.7 lb.) |
| Operating Temperature Range | -25°C ~ 60°C (-13°F ~ 140°F) |
| Cooling Method | Natural Convection |
| Max. Operating Altitude | 4,000 m (13,123 ft.) |
| Relative Humidity | 0 ~ 100% |
| DC Connector | Amphenol Helios H4 |
| AC Connector | Waterproof PG Terminal + OT Connector |
| Protection Degree | IP65 |
| Topology | Transformerless |

| Standard Compliance (more available upon request) | |
|---|---|
| Certificate | EN 62109-1/-2, IEC 62109-1/-2, EN 50530, IEC 62116, IEC 60068, IEC 61683 |
| Grid Code | IEC 61727, VDE-AR-N4105, VDE 0126-1-1, BDEW, G59/3, UTE C 15-712-1, CEI 0-16, CEI 0-21, RD 661, RD 1699, P.O. 12.3, RD 413, EN-50438-Turkey, EN-50438-Ireland, C10/11, MEA, Resolution No.7, NRS 097-2-1, AS/NZS 4777.2 |